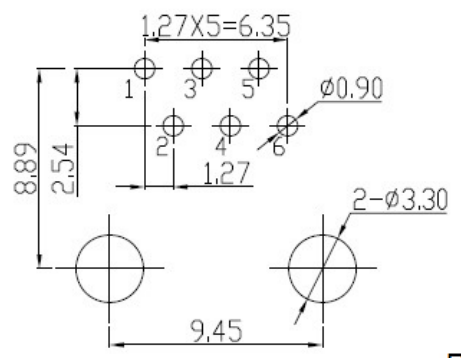
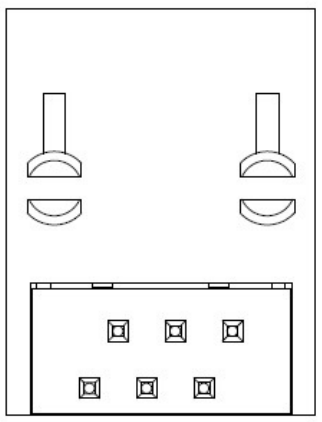


SECTION A-A



PC Board Layout

ELECTRICAL:

- 1. VOLTAGE RATING : 125 VAC RMS.
- 2. CURRENT RATING : 1.5 AMP.
- 3. CONTACT RESISTANCE : 20 MILLIOHMS MAX.
- 4. INSULATION RESISTANCE : 1000 MEGOHMS MIN @ 500 VDC
- 5. DIELECTRIC STRENGTH : 1000 V AC OR 1500V DC RMS @ 0.5mA 50 Hz / 60 Hz 1 Minute

MECHANICAL:

- 1. HOUSING&INSERT& MATERIAL : PBT UL94V-0.
- 2. CONTACT MATERIAL : PHOSPHOR BRONZE φ0.46mm.
- 3. PLATING : GOLD PLATING OVER NICKEL.
- 4. OPERATING LIFE : 750 CYCLES MIN.
- 5. MATING/UNMATING FORCE: : 30N Max.
- 6. RETENTION STRENGTH: : 50N FOR 60S±5S.

ENVIRONMENTAL:

- 1. STORAGE : -40°C TO +85°C RELATIVE HUMIDITY<80%.
  - 2. OPERATION : -40°C TO +85°C.
- MATES WITH MODULAR PLUG CONFORMING TO FCC PART 68, SUBPART F.

Part code: JP-S2-6P2C or 6P4C or 6P6C  
Side entry modular jack

Rev. 02 date 23/2/19  
PCB peg dimension and hole size changed

PRAN ELECTRONICS PVT. LTD.  
INDIA

DRAWING NOT TO SCALE